

CAVIUS

PRODUCT NAME: CAVIUS RF MAINS POWERED HEAT ALARM, 78MM

PRODUCT NUMBER: CV3202

WIRELESS
ALARM FAMILY

HEAT
ALARM



MAINS
POWERED



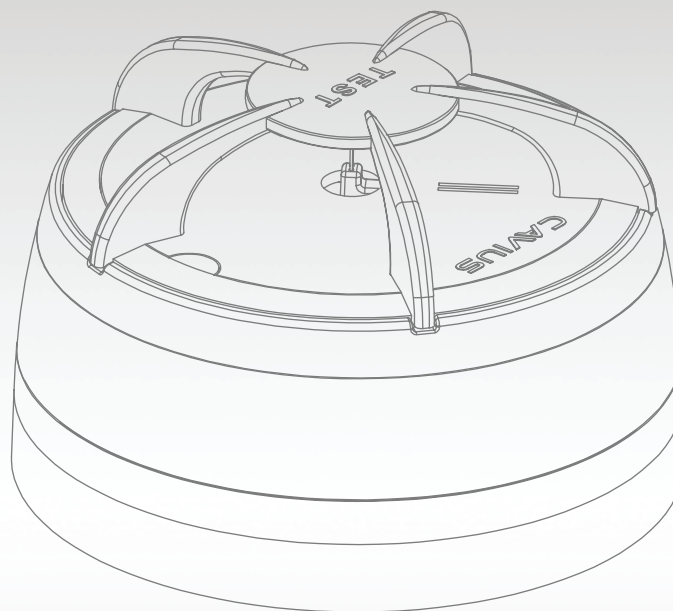
DANISH
DESIGN



100%
TESTED



WIRELESS
ALARM FAMILY



MAINS
POWERED
HEAT
ALARM





CAVIUS

PRODUCT NAME: CAVIUS RF MAINS POWERED HEAT ALARM, 78MM **PRODUCT NUMBER:** CV3202

PRODUCT DATA:

DEVICE TYPE:

Mains powered thermal heat alarm device with wireless interlink and battery back-up.

USAGE:

Designed for installation in private homes or garages with risk for smoky, dusty or humid environment, as for example kitchen and garage area.

This alarm can be connected with other alarms from the CAVIUS Wireless alarm family or function as a stand alone alarm.

Placed max 5,3 meters away from any heating source.

FUNCTION:

The alarm makes a reading every 2 seconds.

INSTALLATION POSITION:

Wall & ceiling. Set of 2 x screws and 2 x plugs included.

PRODUCT DIMENSIONS:

D: 78 mm. x H: 48 mm.

PRODUCT WEIGHT:

Base alarm weight (excluding screws, plugs and mounting ring): 108g.

OPERATION AC/DC:

110V AC, 230V AC

BATTERY TYPE:

CR2 back up battery (non-replaceable).

BATTERY LIFE:

Minimum 10 years life of back up battery (1 year without power supply).

LOW BATTERY INDICATION:

A short acoustic "beep" will sound and LED flash every 48 seconds when the voltage is below 2.85V. In this stage it will continue for minimum 30 days, and can drive the alarm for 4 minutes.

INTERLINK FREQUENCY:

868MHz

SIGNALS:

Transmits RF signals to the CAVIUS Wireless Family at alarm.

NORMAL OPERATION:

Red LED flashes every 48 second for normal operation.
Green LED shows mains power on.

INTERLINK RANGE:

Minimum 100m in open field. Range depends on the building materials and will need to be tested in each individual case.

SOUND:

Audible indicator min. 85 dB @ 3 meter in anechoic chamber.

SOUND PATTERN:

Heat alarm condition is indicated by a series of three successive tones.

VISIBLE INDICATORS:

- A red LED is used to indicate the following conditions:
- In normal mode the LED will flash every 48 seconds to show correct operation
 - When a rapid change of temperature is detected, the heat alarm will go into 'Alarm Mode'. It will sound the alarm signal or the LED will flash rapidly
 - A green LED is used to show the alarm is powered by mains supply



CAVIUS

PRODUCT NAME: CAVIUS RF MAINS POWERED HEAT ALARM, 78MM **PRODUCT NUMBER:** CV3202

PRODUCT DATA:

PUSH BUTTON:

The heat alarm includes a push button switch built into the top of the alarm for easy access. This button has the following functions:

- set up - press the button to start sending out a specific house code to the others alarms
- hush – during an alarm condition this immediately silences the alarm when pressed. When the button is released, the alarm remains silenced for 10 minutes
- test – when not in alarm the sounder can be activated to provide a sensor OK test function. While the button is pressed, the audible and visible indicators are activated if the sensor is OK

DETECTION TIMING:

The heat detector is reading every two seconds.

WARRANTY:

10 year

APPROVALS:

Kitemark
N54-5 A1/R
RoHS
REACH
RED

CE TESTING INSTITUTE:

SGS

ADDITIONAL TESTING AND APPROVALS:

SGS (RF Approval)

ASSOCIATIONS AND COMMITTEES:

CAVIUS is member of the NF292 committee.

CAVIUS is member of GIFSID, manufacturers' association of domestic fire safety equipment.

OPERATING TEMPERATURE:

+4°C to +38°C (tested from 0 degrees to 55 degrees)

OPERATING HUMIDITY:

Up to 90% RH non-condensing

STORAGE TEMPERATURE:

-20°C to +60°C

STORAGE HUMIDITY:

Up to 93% RH non-condensing

QUALITY ASSURANCE:

SOUND LEVEL:

100% tested in special designed sound chamber.

SENSITIVITY:

100% tested

POWER CONSUMPTION:

100% tested

BATTERY VOLTAGE AND INTERNAL RESISTANCE:

100% tested

ALARM FUNCTION:

100% tested

INTERCONNECTION:

100% tested

VISUAL APPEARANCE:

100% tested

PACKING CONTENT:

100% tested

CONTACT

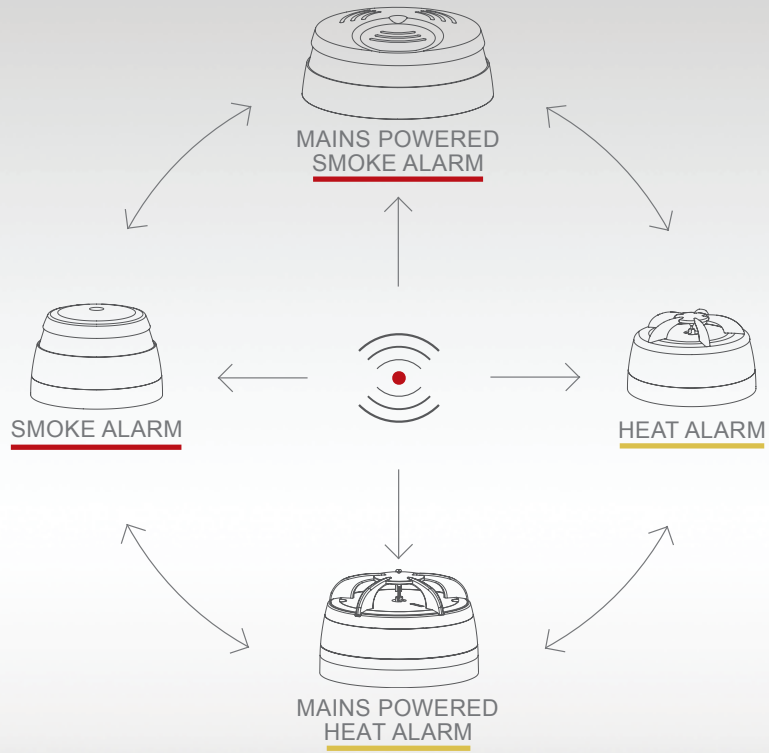
UKsales@cavius.com
www.cavius.com

MANUFACTURER

Manufacturer: CAVIUS Aps, DK8260

CAVIUS

WIRELESS.
ALARM FAMILY



Diameter: 78 mm

PRODUCT NAME: CAVIUS RF MAINS POWERED HEAT ALARM, 78MM

PRODUCT NUMBER: CV3202

