

# CAVIUS

PRODUCT TYPE: CARBON MONOXIDE ALARM DEVICE

PRODUCT NUMBER: 4002-001

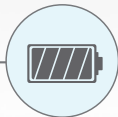
**CO**  
ALARM



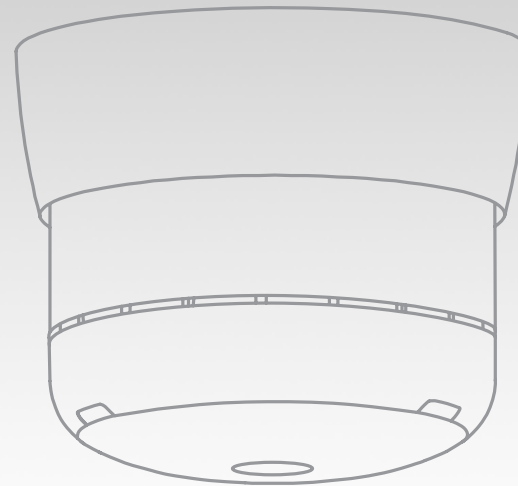
**DANISH**  
**DESIGN**



**10 YEAR**  
BATTERY



**100%**  
TESTED



**10 YEAR**  
**CO**  
ALARM



Conforms to: EN 50291-1:2010+A1:2012



**PRODUCT TYPE:** CARBON MONOXIDE ALARM DEVICE

**PRODUCT NUMBER:** 4002-001

## PRODUCT DATA:

### CO ALARM TYPE:

Carbon monoxide alarm device

### USAGE:

Designed for installation in private homes, camping trailers, mobile homes and caravans. Not recommended for boats.

### FUNCTION:

The response of the CAVIUS CO alarm meet the requirements in EN50291-1:

- at 30 ppm CO, the alarm must not activate for at least 120 minutes.
- at 50 ppm CO, the alarm must not activate before 60 minutes but must activate before 90 minutes.
- at 100 ppm CO, the alarm must not activate before 10 minutes but must activate before 40 minutes.
- at 300 ppm CO, the alarm must activate within 3 minutes.

### OPERATION AC/DC:

DC

### BATTERY TYPE:

Powered by a non-replaceable 3v CR123A lithium battery 1600mAh.

### BATTERY LIFE:

Minimum 10 year life in normal operating condition.

### SENSOR LIFE:

10 year after manufacturing date.

### LOW BATTERY INDICATION:

A short acoustic “beep” will sound and LED flash every 48 seconds when the voltage is below 2.85V. In this stage it will continue for minimum 30 days, and can drive the alarm for 4 minutes.

### NORMAL OPERATION:

LED flashes every 60 second for normal operation.

### SOUND:

Audible indicator min. 85 dB @ 3 meter in anechoic chamber.

### VISUAL AND SOUND PATTERNS:

Normal mode	Short flash green LED every 60sec	- - - -
Alarm mode	Sound sweep with red LED	/// /// ///
Test pass	1 sound sweep and green LED will flash for 3sec	///
Battery fault	1 beep every 60sec with yellow LED	- - - -
Sensor fault	2 beeps every 60sec with yellow LED	-----
End of life of sensor	3 beeps every 60sec with yellow LED	-----

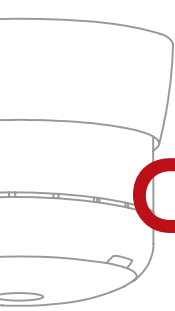
### PUSH BUTTON:

The CO sensor includes a push button switch at the top of the alarm, for easy access.

- hush – during an alarm condition (under a level of 220ppm) this immediately silences the alarm for about 10 minutes when pressed. When battery fault the indication can also be silenced for up to 8 hours by a short press on the hush/test button. This function can only be carried out once during a fault.
- test – when not in alarm the sounder can be activated to provide a sensor OK test function. When the top button is released, the audible and visible indicators are activated to show if the sensor is OK. The alarm will also do a self-test every 24 hour.

### WARRANTY:

10 year



# CAVIUS

**PRODUCT TYPE:** CARBON MONOXIDE ALARM DEVICE

**PRODUCT NUMBER:** 4002-001

## PRODUCT DATA:

### OPERATING TEMPERATURE:

+4°C to +38°C (tested from 0 degrees to 55 degrees).

### OPERATING HUMIDITY:

Up to 90% RH non-condensing

### DETECTION TIMING:

The alarm will make a CO sensor reading every 30 seconds if the concentration is less than 200ppm. At 200ppm or higher the readings will be made every 10 seconds.

### INSTALLATION POSITIONS:

Wall & ceiling. Set of 2 x screws and 2 x plugs included.

### APPROVALS:

EN50291-1  
EN50270  
EN60335  
ROHS  
REACH

### CE TESTING INSTITUTE:

LNE

### ASSOCIATIONS:

Cavius is member of GIFSID, manufacturers' association of domestic fire safety equipment

### STORAGE TEMPERATURE:

-20°C to +60°C

### STORAGE HUMIDITY:

Up to 93% RH non-condensing

## QUALITY ASSURANCE:

### SOUND LEVEL:

100% tested in special designed sound chamber.

### SENSITIVITY:

100% tested.

### POWER CONSUMPTION:

100% tested

### BATTERY VOLTAGE AND INTERNAL RESISTANCE:

100% tested

### ALARM FUNCTION:

100% tested

### VISUAL APPEARANCE:

100% tested

### PACKING CONTENT:

100% tested

## CONTACT

[www.cavius.com](http://www.cavius.com)

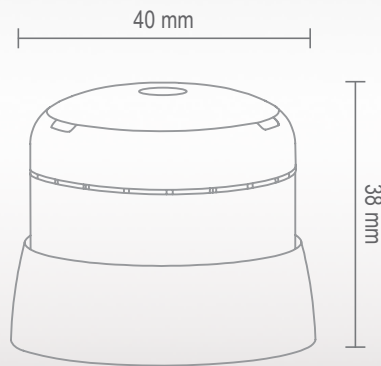
## MANUFACTURER

Manufacturer: Cavius Aps, DK8600

# CAVIUS



THE WORLDS  
S M A L L E S T  
CO ALARM



DISTRIBUTOR: